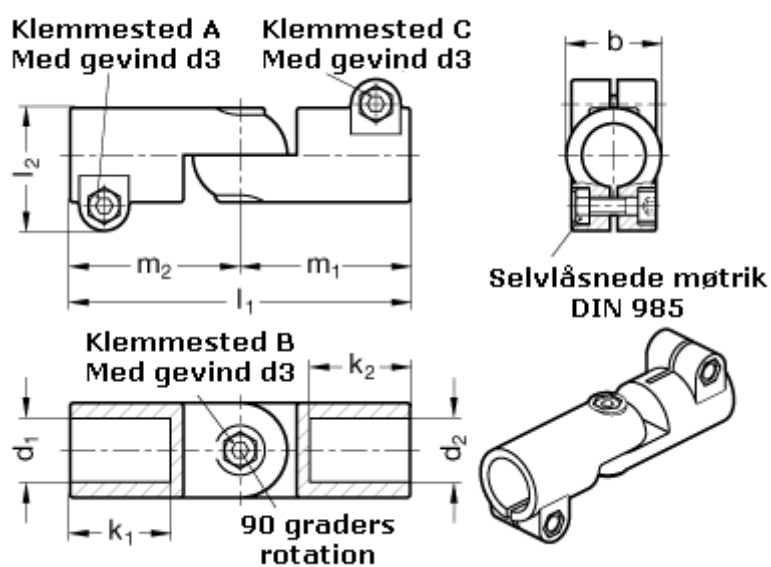


Article number: 20286B25B30S2SW

Description: E+G Swivel clamp connector joint  
GN286-B25-B30-S-2-SW

## Measures



$b = 40$	$m_1 = 72$
$d_1 = B25$	$m_2 = 72$
$d_2 = B30$	
$d_3 = M 8$	
$k_1 = 42.5$	
$k_2 = 42.5$	
$l_1 = 144$	
$l_2 = 52.0$	